

These modules are composed of a two-stage AC/DC coupled six step adjustable gain transimpedance amplifier and his stabilized power supply regulator, all housed in an aluminum body. The device features BNC input/output connectors and a negative voltage generator to allow bipolar functioning.

Features

- Two-stage amplifier
- Internal supply regulator with negative voltage generator
- Adjustable gain
- AC/DC coupling

Applications

- Photodiode amplifiers
- Synchronous detection
- Smoke detection
- Particle detection
- Distance measurement

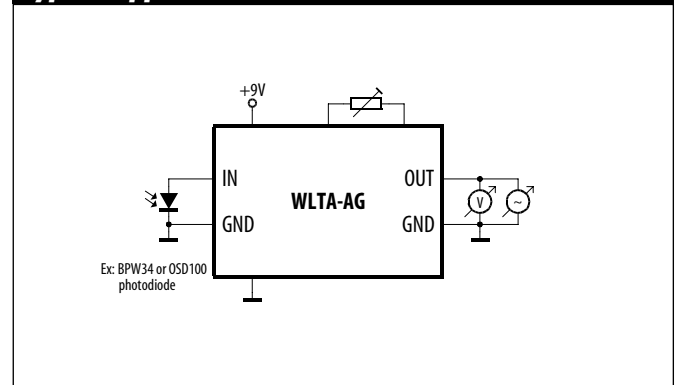


Technical specifications

Supply voltage	6 ÷ 12V / 10 mA typ.
Output	±4V / ±20mA max.
Gain [†]	5k, 10k, 50k, 100k, 500k, 1M
Coupling [†]	AC/DC
Bandwidth	1MHz
Operating temperature	-10 ÷ 50°C
Weight	90g

[†]Fixed coupling and gain available on request

Typical application



Ordering codes

WLTA-AG Standard module

Mechanical data

